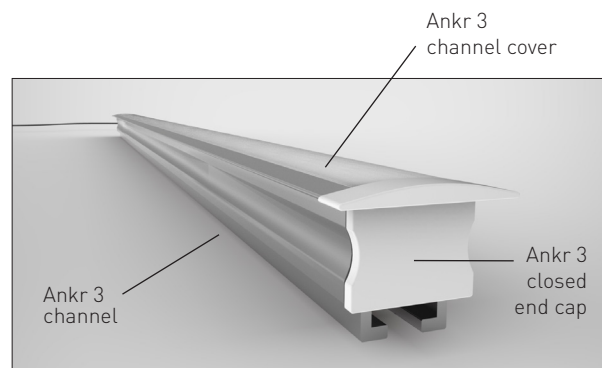


1. Before installing the tape light in the channel, test the connection to power. If using a full spool of tape light, connect one end of the tape to DC power and turn power on. If using a cut section of tape light, attach the appropriate connector to the tape and then connect to DC power.
2. Channel end caps are available in both open and closed models. The open end cap lets the power wire pass from the inside of the channel to the DC power supply. Please note: you may need to remove the white jacket around the wires of the Tape Light Splice Connector so the wires can fit through the opening in the end cap. On the other end of the channel, the closed end cap provides a seal. Be sure to insert the power wire through the open end cap before attaching to the DC power supply.
3. When all connections are secure, and before permanently installing the tape light in the channel, be sure to account for the space to be taken up by the connector in the channel, measuring so that the end caps can fit in the channel once tape and connector are installed.
4. Insert the tape light into the channel by peeling off the covering of the tape light's adhesive backing and pressing the tape in a straight line, starting at one end of the channel and moving to the other end to ensure flat, even adhesion.
5. Insert the end caps into the ends of the channel with even pressure on both sides to ensure a snug fit. Secure the end caps with the included screws (if applicable).
6. Put the cover in place by squeezing the sides and pressing the cover down into the grooves at the top of the channel, starting at one end and moving to the other.
7. After routing out an opening in the wall where the channel will be placed, install the channel in the desired location using the springform mounting clips. [Figure 1] The arms of the clip must be squeezed together and inserted under tension into the wall.
8. Connect to DC power.



Ankr 3 shown with closed end cap